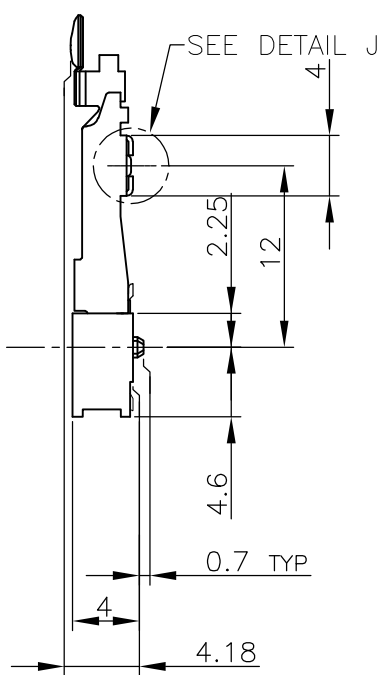
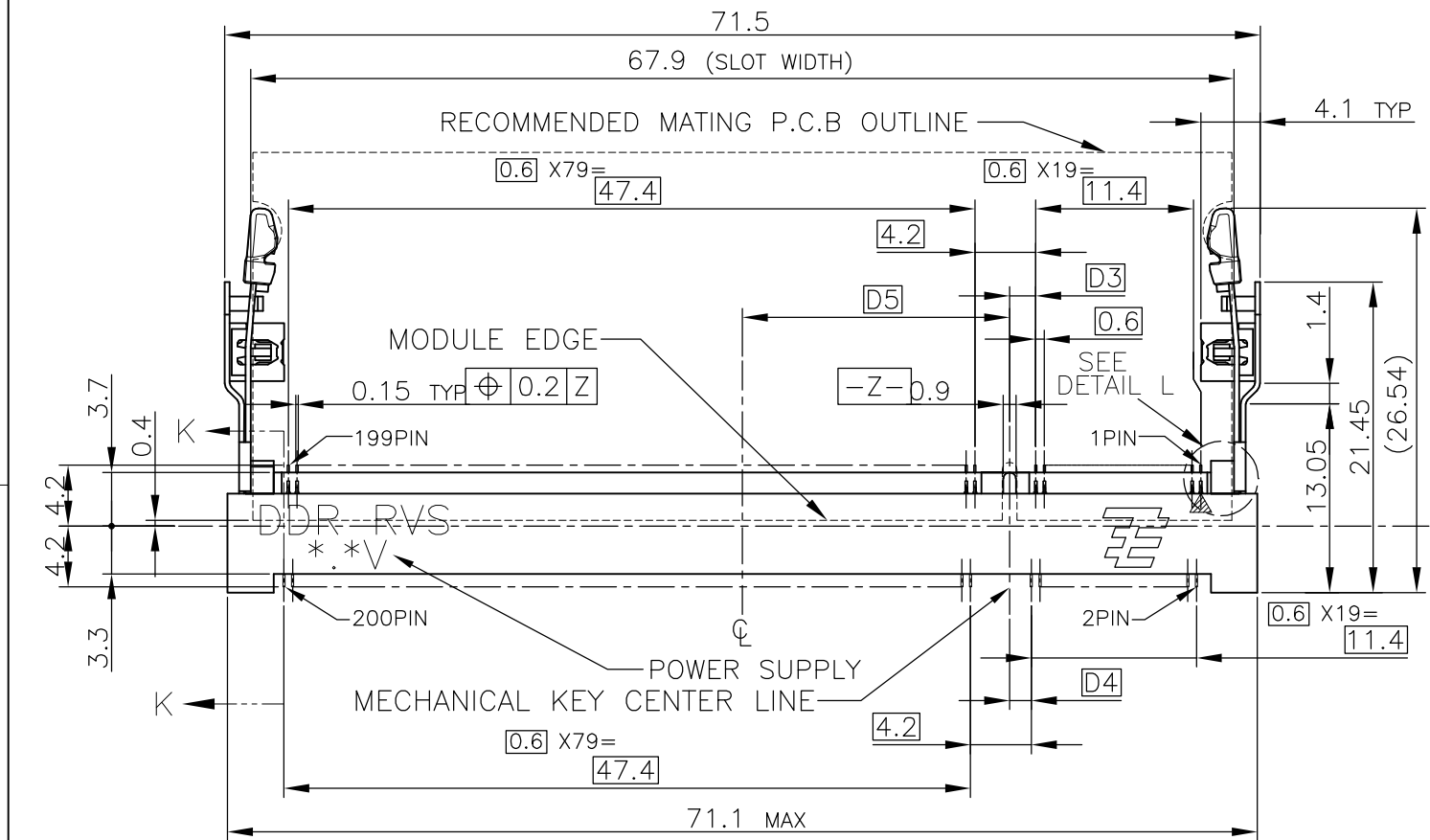
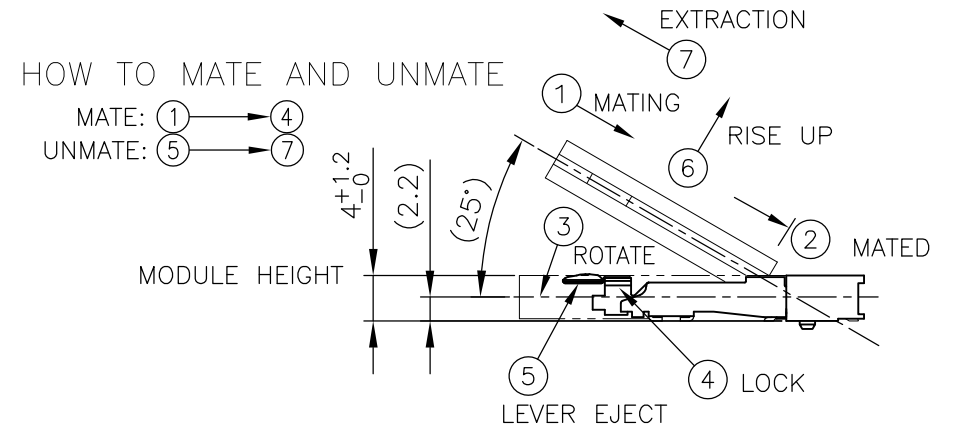
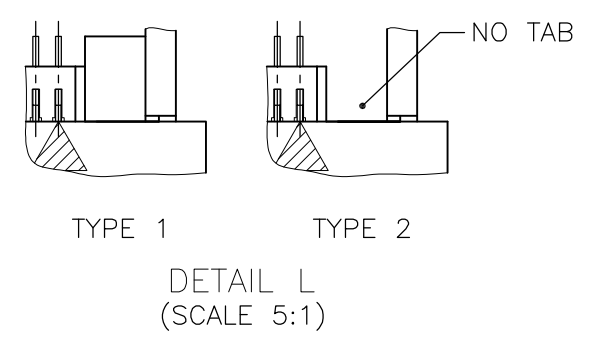
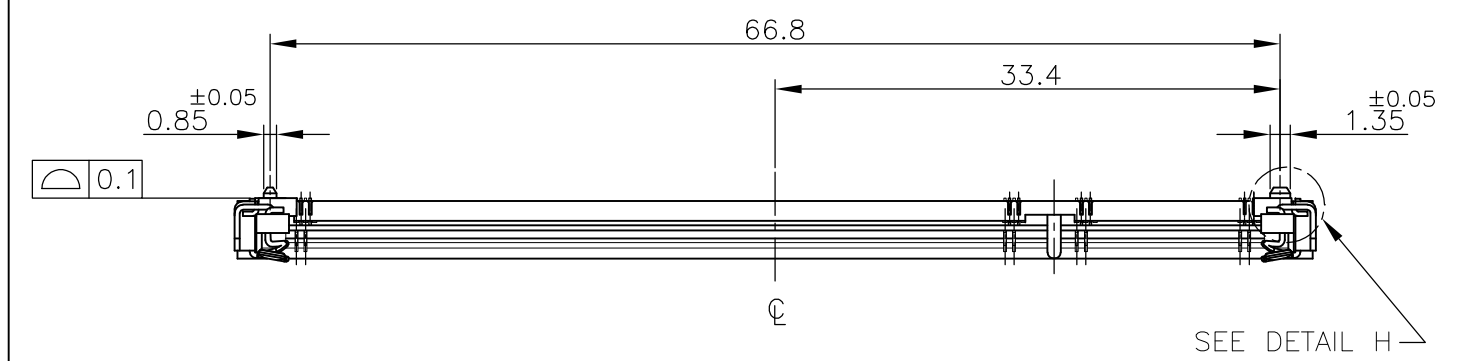
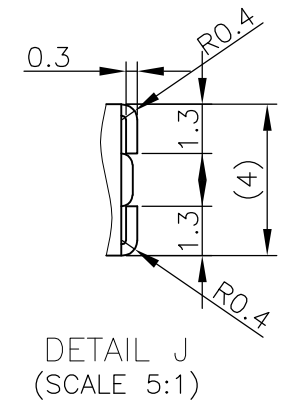
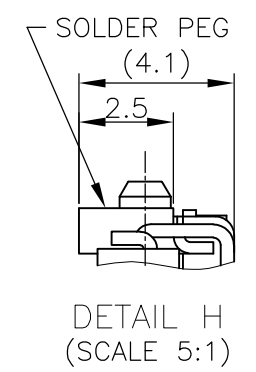
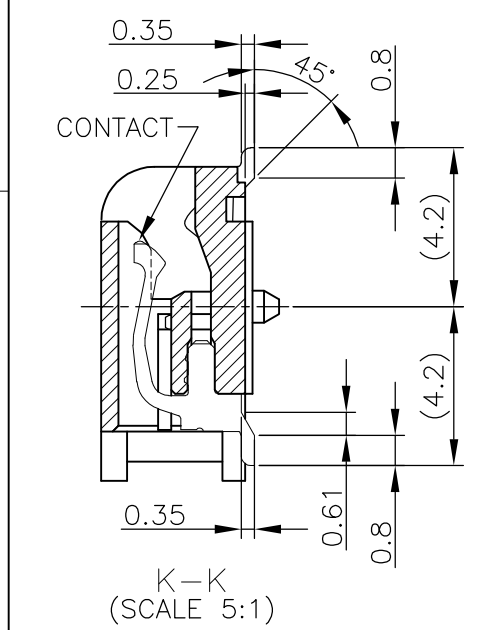


THIS DRAWING IS UNPUBLISHED. RELEASED FOR PUBLICATION OCT, 2001.  
 © COPYRIGHT 2001 BY TYCO ELECTRONICS CORPORATION. ALL RIGHTS RESERVED.

| LOC |     | DIST          |  | REVISIONS |         |     | DATE | DWN | APVD |
|-----|-----|---------------|--|-----------|---------|-----|------|-----|------|
| P   | LTR | DESCRIPTION   |  |           |         |     |      |     |      |
|     | G1  | ECR-10-014684 |  |           | 22JUL10 | B.W | S.Y  |     |      |



- (APPLIED TO SHEET 1-2)
- MATERIAL ; HOUSING: HIGH TEMPERATURE THERMO PLASTIC UL94V-0  
CONTACT: COPPER ARROY  
LOCK LEVER STAINLESS STEEL  
SOLDER PEG: COPPER ARROY
  - FINISH ; CONTACT AREA: GOLD FLASH ON 0.0013MIN ALL OVER NICKEL.  
SOLDERING AREA: GOLD FLASH PLT.  
SOLDER PEG: TIN PLATING.
- ⚠ MECHANICAL KEY POSITION OF CONNECTOR SEE TABLE.  
 ⚠ TOLERANCES NON-CUMULATIVE.  
 ⚠ NOT TO SCALE.
- INSIDE MUST BE RESIST COAT EXCEPT SOLDER PATTERN.
  - IF THE MODULE DOESN'T INSERT AND LOCK IN THE LATCH SMOOTHLY, OPEN WIDE BOTH LATCHES BY MANUAL. AND THE MODULE MUST BE INSERTED AND LOCKED IN THE LATCH.



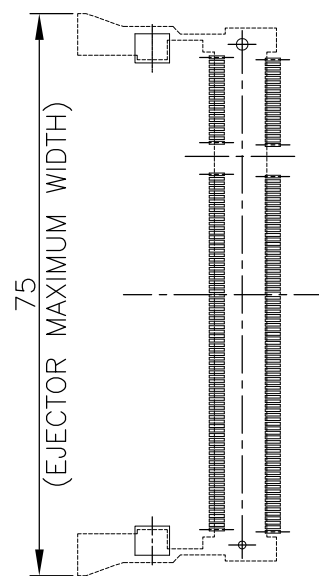
| TYPE     | AVAILABLE      | BOSSLESS | VOL                 | 17.55 | 2.4 | 2.7 | 200 | PART NO.    |
|----------|----------------|----------|---------------------|-------|-----|-----|-----|-------------|
| TYPE 2   | AVAILABLE      | —H—      | 1.8V (DDR2)         | 17.55 | 2.4 | 2.7 | 200 | 1-1565692-4 |
| TYPE 2   | AVAILABLE      | —H—      | 1.8V (DDR2)         | 17.55 | 2.4 | 2.7 | 200 | 1565692-4   |
| TYPE 1   | AVAILABLE      | BOSSLESS | 2.5V (DDR1)         | 18.45 | 1.5 | 1.8 | 200 | 1-1565692-1 |
| TYPE 1   | AVAILABLE      | —H—      | 2.5V (DDR1)         | 18.45 | 1.5 | 1.8 | 200 | 1565692-1   |
| TAB TYPE | TOOLING STATUS | REMARK   | POWER SUPPLY (TYPE) | D5    | D4  | D3  | POS | PART NO.    |

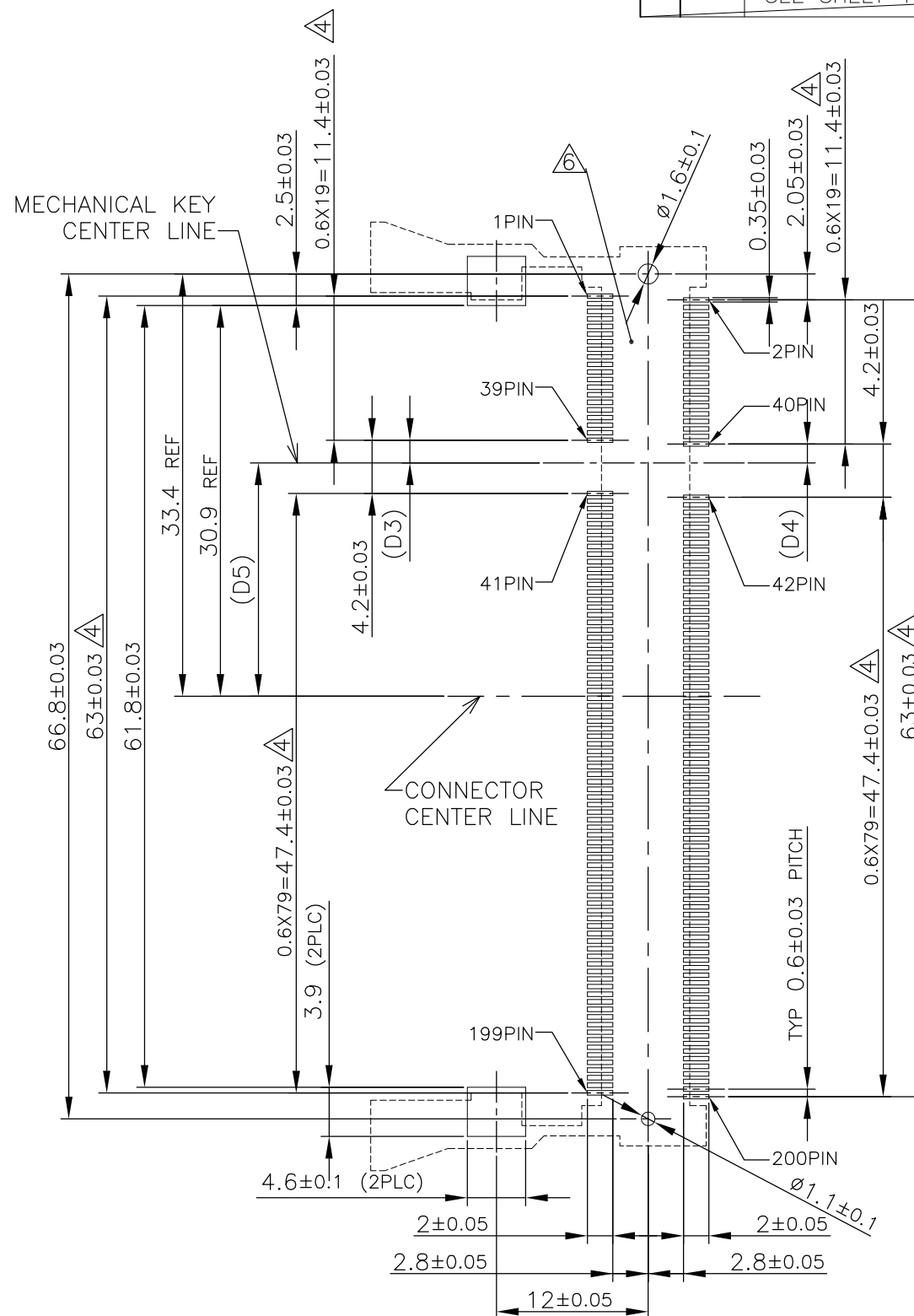
|  |  |  |   |
|--|--|--|---|
| THIS DRAWING IS A CONTROLLED DOCUMENT. |  | DWN T.FUMIKURA 09NOV01                         | <br>Tyco Electronics AMP K.K.<br>Kawasaki, Japan                            |
|  |  | CHK H.KODAMA 09NOV01                           |   |
|  |  | APVD H.KODAMA 09NOV01                          |   |
|  |  | NAME H.KODAMA                                  |   |
| DIMENSIONS: MM                         |  | PRODUCT SPEC 108-5701                          | DDR1 & DDR2 SODIMM SOCKET<br>0.6mm PITCH 200POS<br>LOW PROFILE REVERSE TYPE |
| TOLERANCES UNLESS OTHERWISE SPECIFIED: |  | APPLICATION SPEC                               | SIZE CAGE CODE DRAWING NO RESTRICTED TO                                     |
| 0 PLC ± 0.3                            |  | WEIGHT 3.2 g                                   | A3 00779 C-1565692  |
| 1 PLC ± 0.3                            |  | CUSTOMER DRAWING SCALE 2:1 SHEET 1 OF 4 REV G1 |   |
| 2 PLC ± 0.3                            |  |  |   |
| 3 PLC ± 0.3                            |  |  |   |
| 4 PLC ± 0.3                            |  |  |   |
| ANGLES ± 3'                            |  |  |   |
| FINISH                                 |  |  |   |

| P | LTR | DESCRIPTION | DATE | DWN | APVD |
|---|-----|-------------|------|-----|------|
| - | -   | SEE SHEET 1 | -    | -   | -    |

# REFERENCE P.C. BOARD PATTERN LAYOUT (CONNECTOR MOUNTING SIDE)



REAL SIZE (SCALE 1:1)

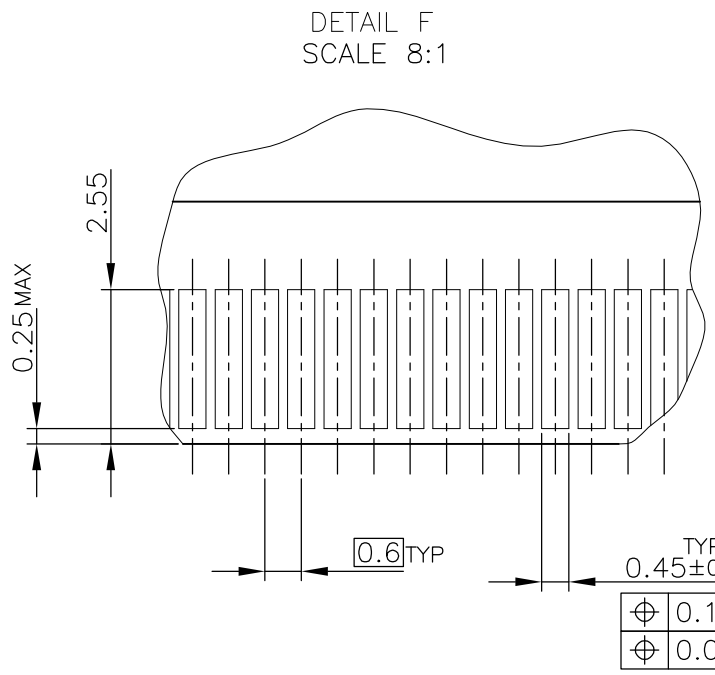
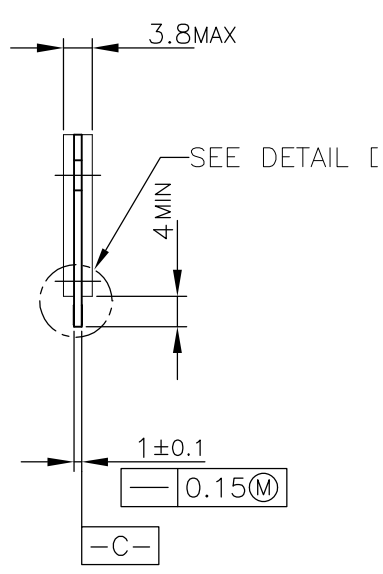
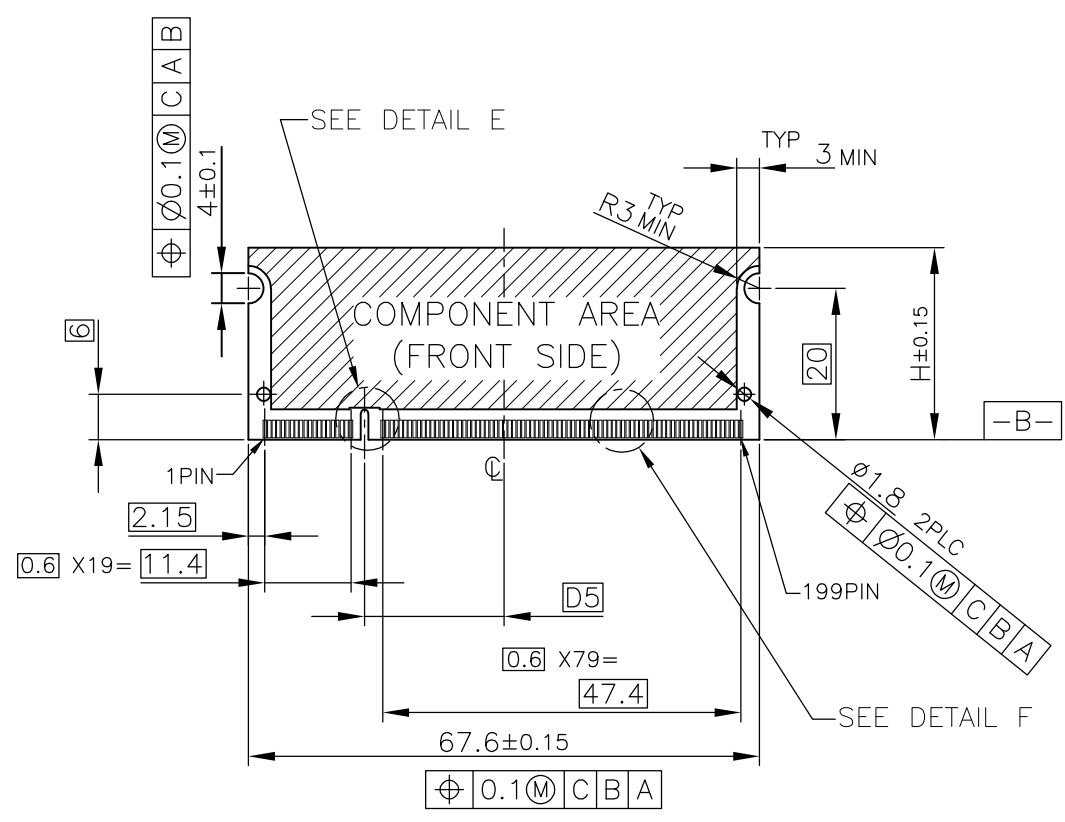


|              |       |     |     |
|--------------|-------|-----|-----|
| 1.8V         | 17.55 | 2.4 | 2.7 |
| 2.5V         | 18.45 | 1.5 | 1.8 |
| POWER SUPPLY | D5    | D4  | D3  |

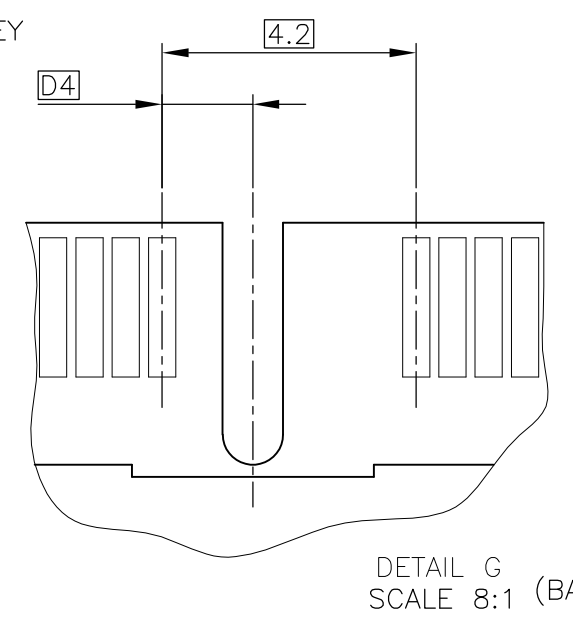
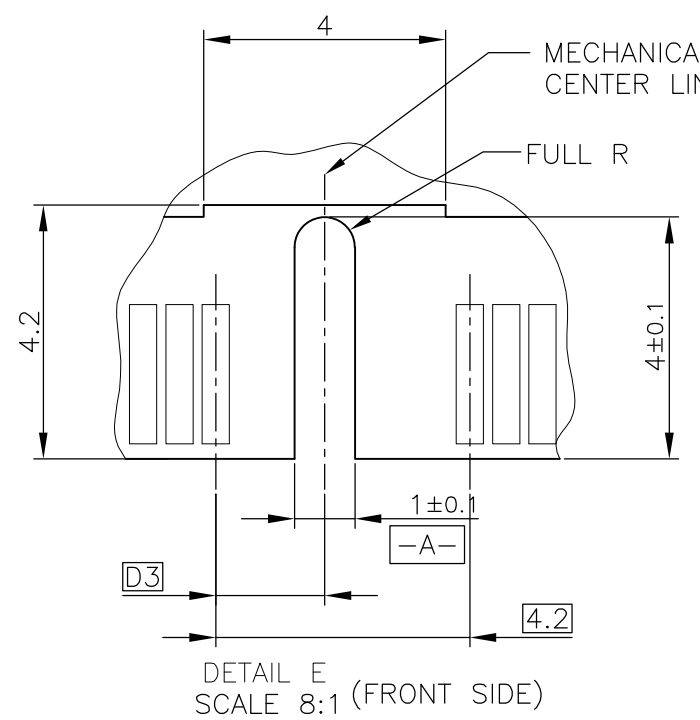
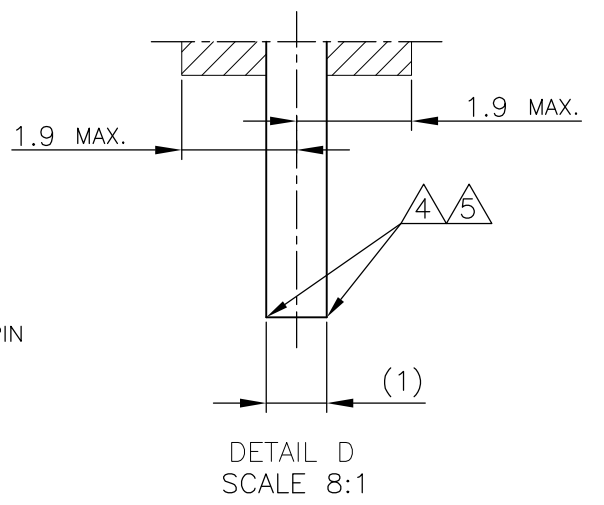
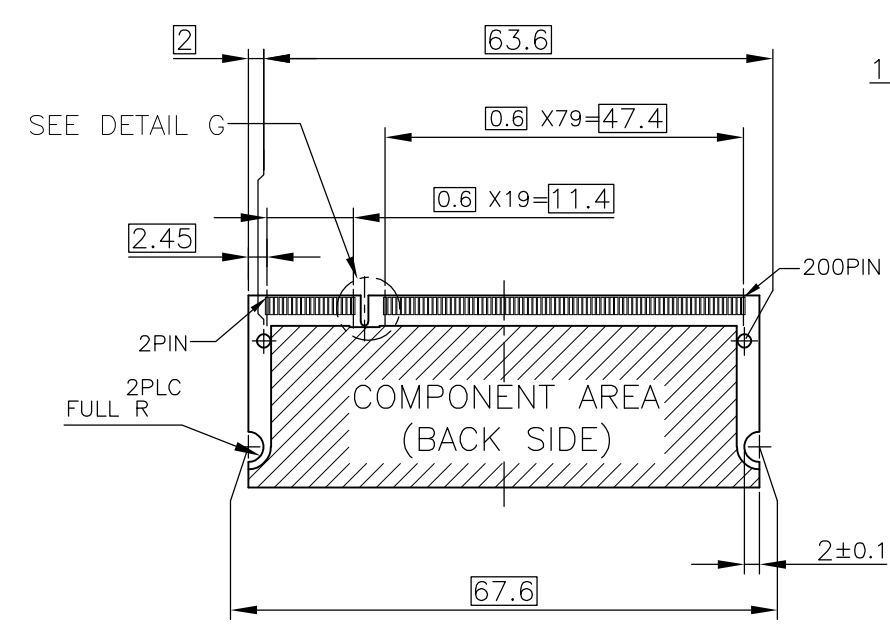
|  |  |                  |   |            |  |        |
|--|--|------------------|---|------------|--|--------|
| THIS DRAWING IS A CONTROLLED DOCUMENT. |  | DWN              | Tyco Electronics  |            | Tyco Electronics AMP K.K.<br>Kawasaki, Japan |        |
| DIMENSIONS:<br>MM                      |  | CHK              | NAME  |            |  |        |
| TOLERANCES UNLESS OTHERWISE SPECIFIED: |  | APVD             | DDR1 & DDR2 SODIMM SOCKET<br>0.6mm PITCH 200POS<br>LOW PROFILE REVERSE TYPE |            |  |        |
| 0 PLC ±                                |  | PRODUCT SPEC     | SIZE  |            |  |        |
| 1 PLC ±                                |  | APPLICATION SPEC | CAGE CODE   | DRAWING NO | RESTRICTED TO                                |        |
| 2 PLC ±                                |  | MATERIAL         | A3  | 00779      | C=1565692                                    | -      |
| 3 PLC ±                                |  | FINISH           | CUSTOMER DRAWING  |            |  |        |
| 4 PLC ±                                |  | WEIGHT           | SCALE 2:1   |            | SHEET 2 OF 4                                 | REV G1 |
| ANGLES ±                               |  |                  |   |            |  |        |

THIS DRAWING IS UNPUBLISHED. RELEASED FOR PUBLICATION OCT ,2001.  
 © COPYRIGHT 2001 BY TYCO ELECTRONICS CORPORATION. ALL RIGHTS RESERVED.

| LOC | DIST | REVISIONS   |      |     |      |
|-----|------|-------------|------|-----|------|
| P   | LTR  | DESCRIPTION | DATE | DWN | APVD |
| J   |      | SEE SHEET 1 | -    | -   | -    |



- (APPLIED TO SHEET 3)
1. TOLERANCES ON ALL DIMENSIONS ±0.15 UNLESS OTHERWISE SPECIFIED.
  2. P.C.BOARD THICKNESS APPLIES ACROSS TABS AND INCLUDES PLATING AND/OR METALIZATION.
  3. FINISH OF PAD : GOLD PLATING 0.00076 MIN. OVER Ni PLATING 0.002MIN.
- △ NO BURR
- △ CHAMFER 0.25 MAX x 45° IF EXIST.



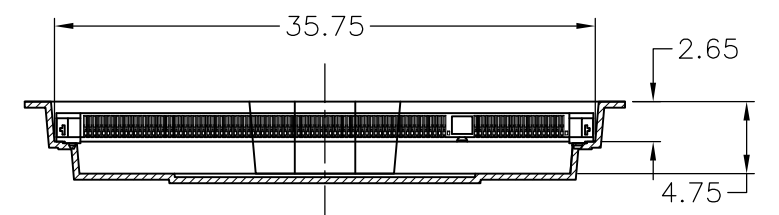
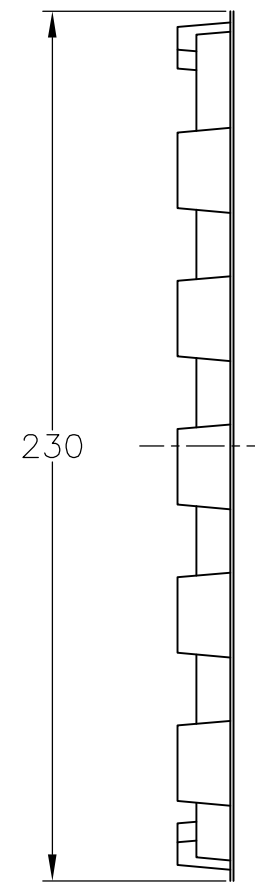
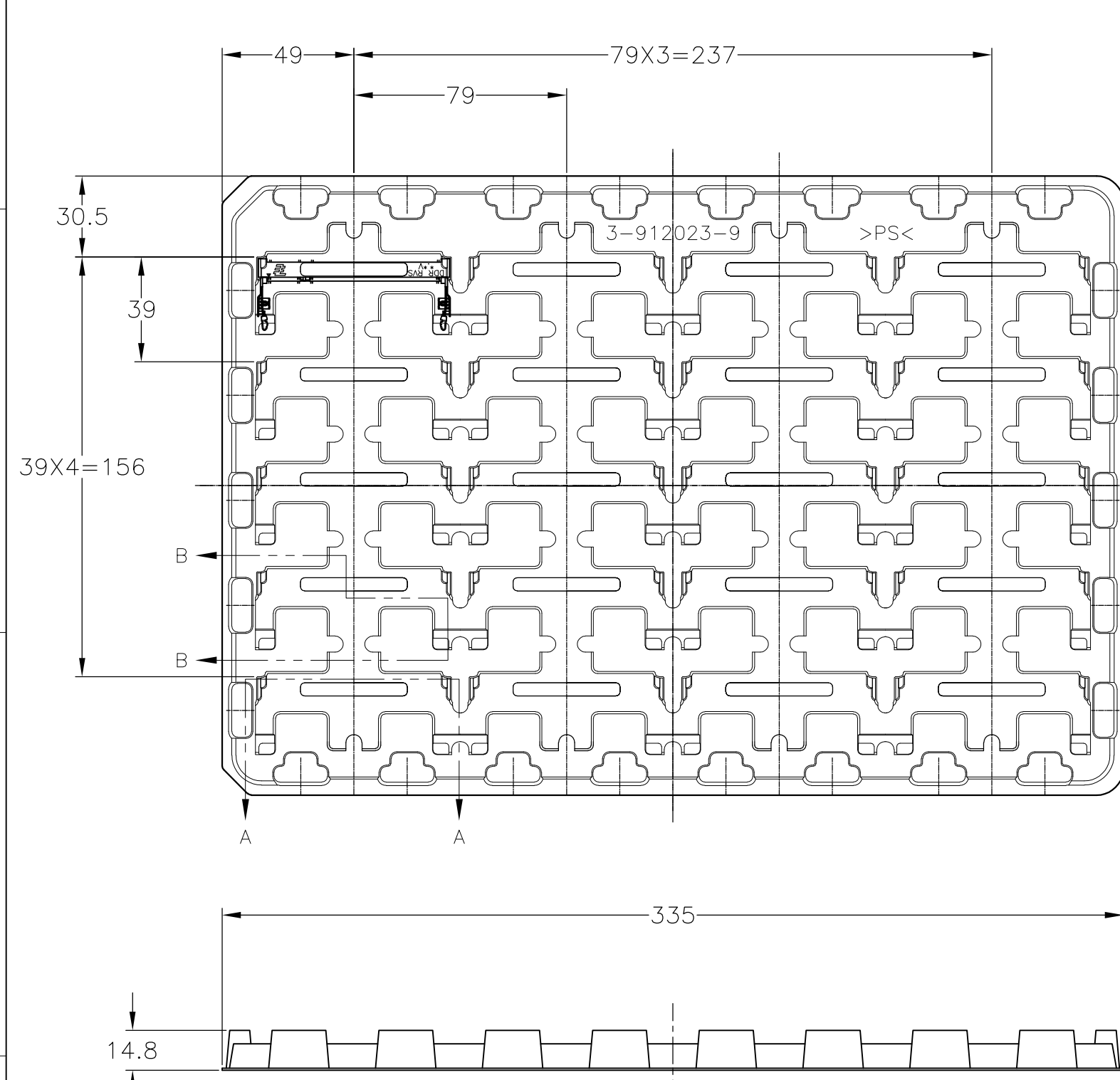
RECOMMENDED MATING P.C.B CONFIGURATION

|       |              |       |     |     |
|-------|--------------|-------|-----|-----|
| 31.75 | 1.8V         | 17.55 | 2.4 | 2.7 |
| 25.4  | 2.5V         | 18.45 | 1.5 | 1.8 |
| H     | POWER SUPPLY | D5    | D4  | D3  |

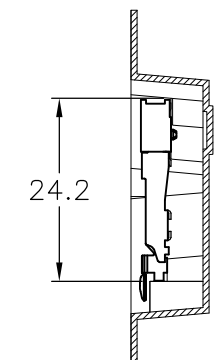
|   |  |                  |  |  |  |
|---|--|------------------|--|--|--|
| THIS DRAWING IS A CONTROLLED DOCUMENT.  |  | DWN              |  | Tyco Electronics AMP K.K.<br>Kawasaki, Japan |  |
| DIMENSIONS: MM  |  | CHK              |  |  |  |
|   |  | APVD             |  |  |  |
| TOLERANCES UNLESS OTHERWISE SPECIFIED:<br>0 PLC ±<br>1 PLC ±<br>2 PLC ±<br>3 PLC ±<br>4 PLC ±<br>ANGLES ±<br>FINISH ± |  | NAME             |  |  |  |
| MATERIAL  |  | PRODUCT SPEC     |  | DDR1 & DDR2 SODIMM SOCKET                    |  |
|   |  | APPLICATION SPEC |  | 0.6mm PITCH 200POS                           |  |
|   |  | WEIGHT           |  | LOW PROFILE REVERSE TYPE                     |  |
|   |  | CUSTOMER DRAWING |  | SIZE CAGE CODE DRAWING NO RESTRICTED TO      |  |
|   |  | SCALE 2:1        |  | A3 00779 C-1565692                           |  |
|   |  | SHEET 3 OF 4     |  | REV G1                                       |  |

THIS DRAWING IS UNPUBLISHED. RELEASED FOR PUBLICATION OCT , 2001.  
 © COPYRIGHT 2001 BY TYCO ELECTRONICS CORPORATION. ALL RIGHTS RESERVED.

| LOC |     | DIST        |   | REVISIONS |     |      |  |
|-----|-----|-------------|---|-----------|-----|------|--|
| P   | LTR | DESCRIPTION |   | DATE      | DWN | APVD |  |
| J   |     | -           | - | -         | -   | -    |  |



A-A  
SCALE 2:1  
(180DEG. ROTATE)



B-B  
SCALE 2:1

|                     |           |             |
|---------------------|-----------|-------------|
| 1.8V (DDR2)         | 20EA/TRAY | 1-1565692-4 |
| 1.8V (DDR2)         | 20EA/TRAY | 1565692-4   |
| 2.5V (DDR1)         | 20EA/TRAY | 1-1565692-1 |
| 2.5V (DDR1)         | 20EA/TRAY | 1565692-1   |
| POWER SUPPLY (TYPE) | QTY       | P/N         |

- (APPLIED TO SHEET 4)
1. THE DIRECTION OF EACH CONNECTOR ON A TRAY IS REFERRED TO THIS DRAWING.
  2. GENERAL TOLERANCE: ±0.5

|  |  |                  |  |  |  |
|--|--|------------------|--|--|--|
| THIS DRAWING IS A CONTROLLED DOCUMENT. |  | DWN              |  | Tyco Electronics AMP K.K.<br>Kawasaki, Japan |  |
| DIMENSIONS: MM                         |  | CHK              |  |  |  |
| TOLERANCES UNLESS OTHERWISE SPECIFIED: |  | APVD             |  | NAME   |  |
| 0 PLC ±                                |  | PRODUCT SPEC     |  | DDR1 & DDR2 SODIMM SOCKET                    |  |
| 1 PLC ±                                |  | APPLICATION SPEC |  | 0.6mm PITCH 200POS                           |  |
| 2 PLC ±                                |  | WEIGHT           |  | LOW PROFILE REVERSE TYPE                     |  |
| 3 PLC ±                                |  | SIZE             |  | CAGE CODE                                    |  |
| 4 PLC ±                                |  | A3               |  | 00779  |  |
| ANGLES ±                               |  | DRAWING NO       |  | G-1565692                                    |  |
| FINISH                                 |  | RESTRICTED TO    |  | -  |  |
| MATERIAL                               |  | CUSTOMER DRAWING |  | SCALE 1:2                                    |  |
|  |  | SHEET 4 OF 4     |  | REV G1                                       |  |