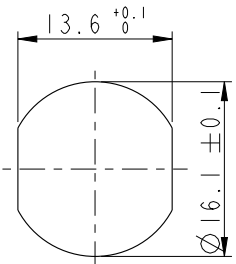
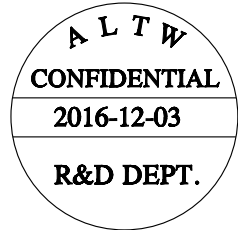
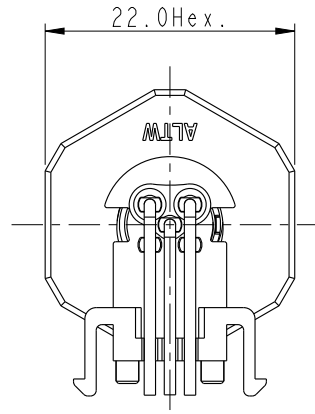
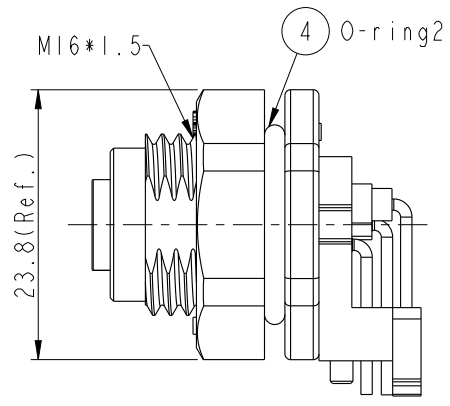
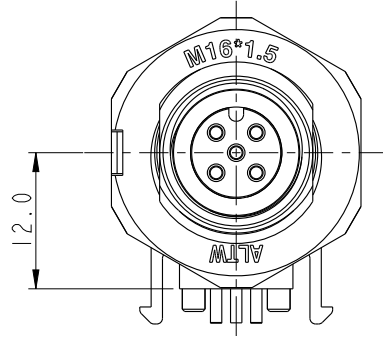


THIS DOCUMENT IS SUBJECT TO CHANGE WITHOUT NOTICE. IT IS CONFIDENTIAL AND A PROPERTY OF AMPHENOL LTW. DISCLOSURE TO THIRD PARTY HAS TO BE AUTHORIZED BY AMPHENOL LTW.

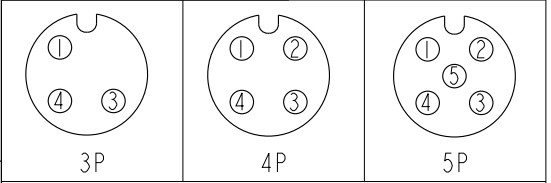
REV.	ECN NO.	DATE	SIGN	DESCRIPTION



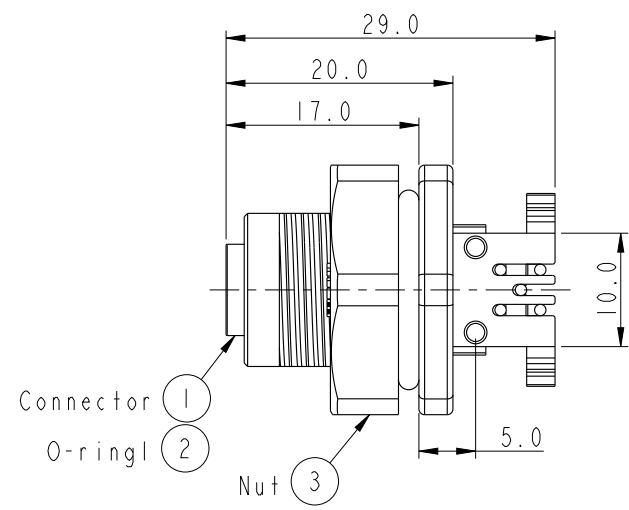
Recommended Panel Cut-Out



MSAP-03PFFR-SF8002
MSAP-04PFFR-SF8002
MSAP-05PFFR-SF8002
Item No.



Pin Assignment Front View



Note:

- * \varnothing Important Dimension To Check.
- * Waterproof Rate: IP68
IP68: 1M Depth Of Water In 24hours
- * Connector: Nylon+GF, Black
- * Female Pin: Copper Alloy, Gold Plated
- * Shell: Nylon+GF, Black
- * Nut: Nylon+GF, Black
- * O-ring1: Silicon, Gray
- * O-ring2: Silicon, Black
- * Boardlock: PBT+PC, Black
- * Rated Voltage: 3 & 4Pin 250V dc. or ac.
5Pin 60V dc. or ac.
- * Rated Current: 3~5Pin 4A
- * For Panel Thickness Max. 4.0mm
- * For PCB Thickness Max. 1.6mm

UNIT: mm		TITLE	SENSOR, M12, 90° PANEL FCONN FPIN, PLASTIC		
TOLERANCE	.X ±0.25 .XX ±0.1 .XXX ±0.05 ANGLES ±1°	SCALE	3:2	SIZE	A4
		SHEET	1	OF	2
REV.	A	WC-REV.	A.2	QC: Inspection item	

Amphenol LTW
安費諾亮泰企業股份有限公司

ITEM NO.	DRAWN BY	DATE
	Yulong_wang	2016-12-03
DWG NO.	CHECKED BY	DATE
MSAP-XXPFFR-SF8002	Jinhai	2016-12-03
CUSTOMER	APPROVED BY	DATE
ALTW	Jerry	2016-12-03

THIS DOCUMENT IS SUBJECT TO CHANGE WITHOUT NOTICE. IT IS CONFIDENTIAL AND A PROPERTY OF Amphenol LTW. DISCLOSURE TO THIRD PARTY HAS TO BE AUTHORIZED BY Amphenol LTW.

M SAP - XX P F F R - S F 8 002

SAP: A-Code Plastic

03: 3Pin
04: 4Pin
05: 5Pin

P: Panel (板端)

F: Female Connector (母座)

002: M16

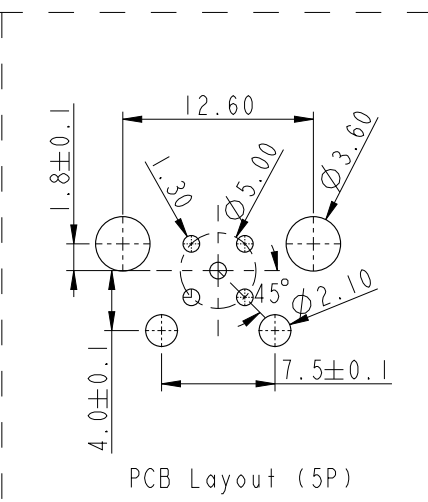
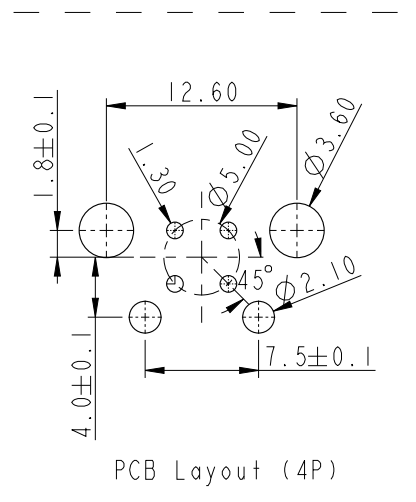
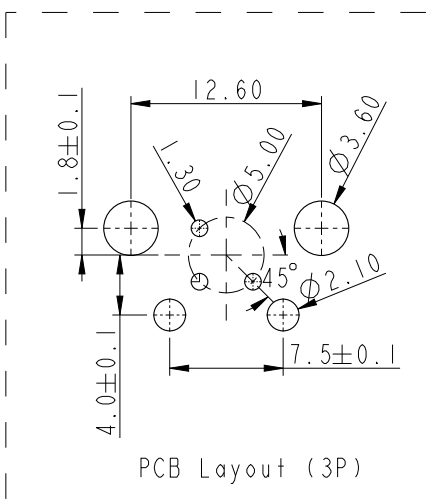
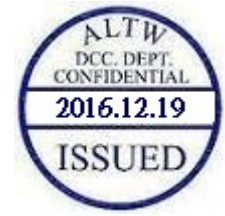
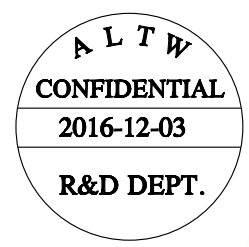
8: IP68 (防水等級68)

F: Front Fasten (前鎖式/Enclosure Rear Mount)

S: Screw (螺紋式)

R: 90° PCB THT/DIP Type (90° 基板插件式)

F: Female Pin (母Pin)



UNIT: mm		
TOLERANCE	.X ±0.25	
	.XX ±0.1	
	.XXX ±0.05	
ANGLES	±1°	

TITLE SENSOR, M12, 90° PANEL FCONN FPIN, PLASTIC			
SCALE 3:2	SIZE A4	SHEET 2 OF 2	
REV. A	WC-REV. A.2	Ⓞ: Inspection item	

Amphenol LTW
安費諾亮泰企業股份有限公司

ITEM NO	DRAWN BY Yulong_wang	DATE 2016-12-03
DWG NO MSAP-XXPFFR-SF8002	CHECKED BY Jinhai	DATE 2016-12-03
CUSTOMER ALTW	APPROVED BY Jerry	DATE 2016-12-03

DATE 2016-12-03
DATE 2016-12-03
DATE 2016-12-03