

SC-SLIMCON6

Isolating Signal Converter



- **Wide Range of Inputs Available**
- **Full 3-Port Isolation**
- **Zero & Span Pots for Output**
- **Fast Time Response**
- **High Accuracy, Low Cost**
- **Only 6.8 mm Wide**

Inputs

Standard ranges are shown below :-

SC-SLIMCON6 for DC Current & Voltage

0-20mA, 4-20mA, 0-10mA into 5 Ω /11 Ω

0-10V, 1-5V, 0-5V, 2-10V into 500k Ω

Bipolar Voltage Input version available, please call.

Outputs

DC Current and Voltage

Current source or sink

0-20mA, 4-20mA into 500 Ω

0-10V, 0-5V, 1-5V into a minimum 100k Ω

Technical Specifications

Parameter	Min	Typ	Max	Comments
Supply Voltage	18V	24V	30V	22Vdc required to drive 500 Ω
Supply Current (mA)		25	30	Based on 24Vdc supply into 500 Ω
Volt Drop (mA input)		0.1	0.15	At 20mA Input
Input Impedance (Volt)		500k Ω		
Input Impedance (mA)		5 Ω	10 Ω	Dep't on range (typ=20mA, max 0-10mA)
Output Linearity Error		± 0.03	$\pm 0.1\%$	
Temp Coefficient			± 100 ppm/ $^{\circ}$ C	
Load Resistance Error			± 5 ppm/ Ω	0 < RL < 500 Ω
Time Constant (10-90%)		25mS	30mS	Faster response available on request
Operating Ambient	0 $^{\circ}$ C		55 $^{\circ}$ C	
Relative Humidity	0%		90%	
Isolation Voltage ^{see note}	1kV			
Surge Voltage	2.5kV for 50 μ S		Transient of 10kV/ μ S	

Notes

Absolute maximum ratings indicate sustained limits beyond which damage to the device may occur.

Device is protected against reverse polarity connection. External 100mA fuse required.

Accuracy figures based on 24Vdc supply, 4-20mA output with 250 Ω load and an ambient 20 $^{\circ}$ C.

The SC-SLIMCON6 Isolating Signal Converter can accept a range of inputs including 4-20mA and voltage signals. The unit produces a high level DC output of either voltage or current.

Full 3 port isolation is standard on the product range.

The SC-SLIMCON6 can be configured to accept a current or voltage input and provides a current or voltage output.

The input and output of the unit can also be reconfigured using the built in switches together with the zero and span adjustment potentiometers.

The unit is powered from 24Vdc nominal.

Installation Data

Mounting	DIN Rail TS35
Orientation	Any
Connections	Screw Clamp with pressure plate
Conductor Size	0.5-4.0mm
Insulation Stripping	12mm
Weight	Approx 60g

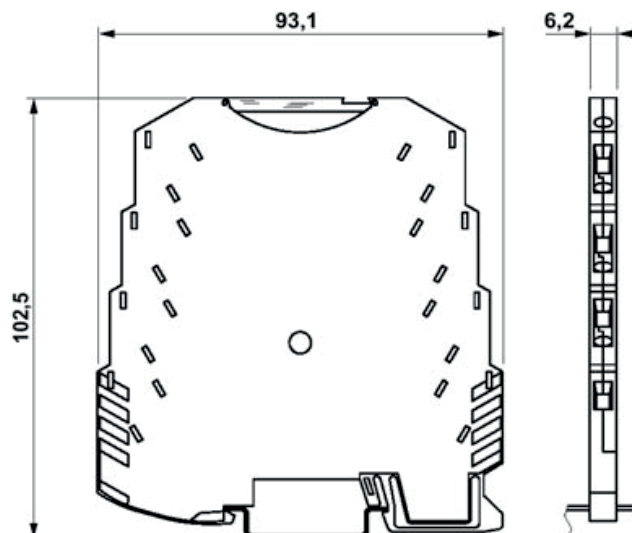
Ordering Information

Part No.: SC-SLIMCON6

Cynergy3 Components Ltd.
7 Cobham Road
Ferndown Industrial Estate
Wimborne, Dorset BH21 7PE
Telephone +44 (0) 1202 897969
Email:sales@cynergy3.com

ISO9001 CERTIFIED

SC-SLIMCON6 2017



Connection Details

1. Power supply -ve
2. Power supply +ve
4. Process Input -ve
5. Process Input +ve
10. Output -ve
12. Output +ve



Made in the UK

www.cynergy3.com