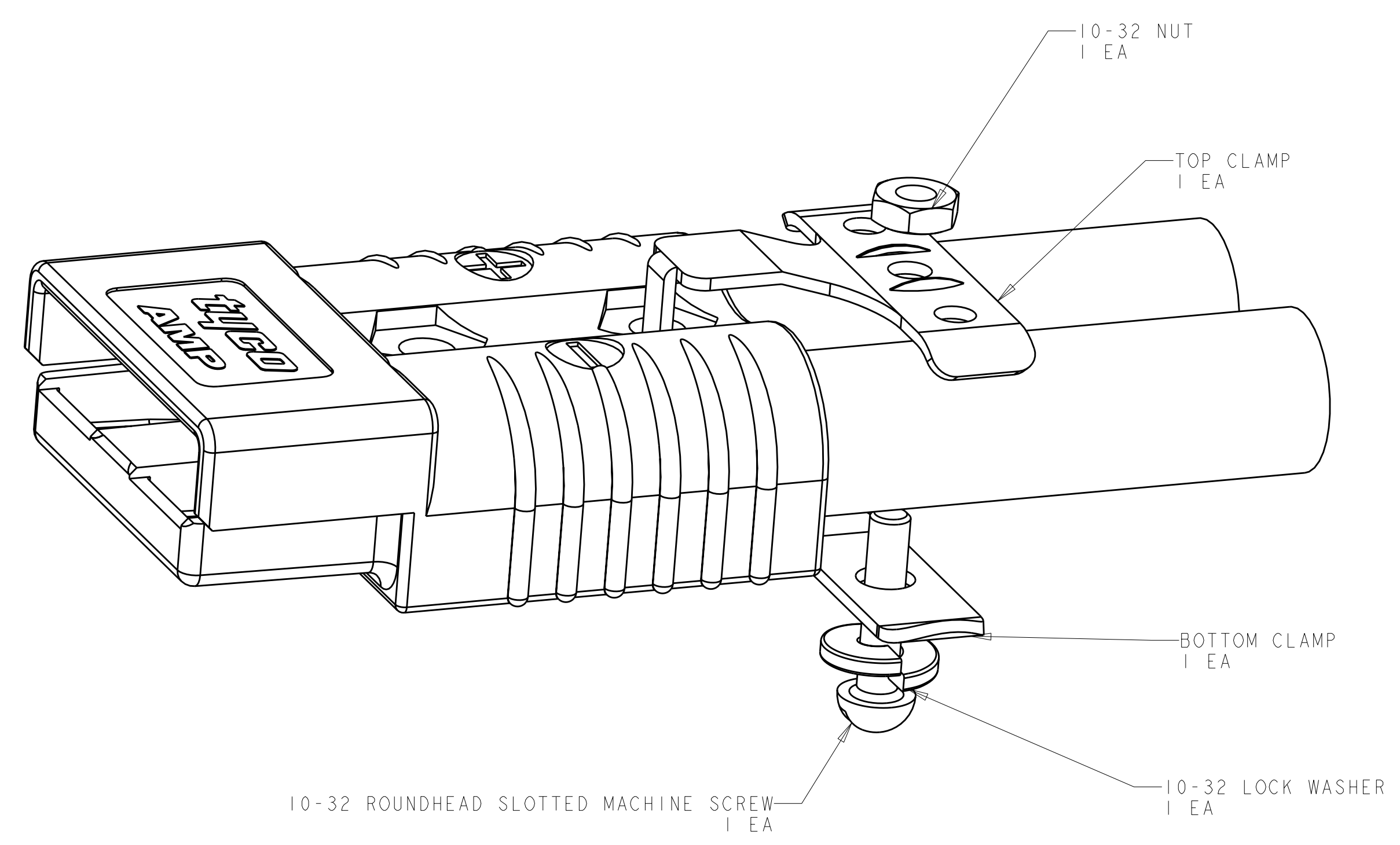
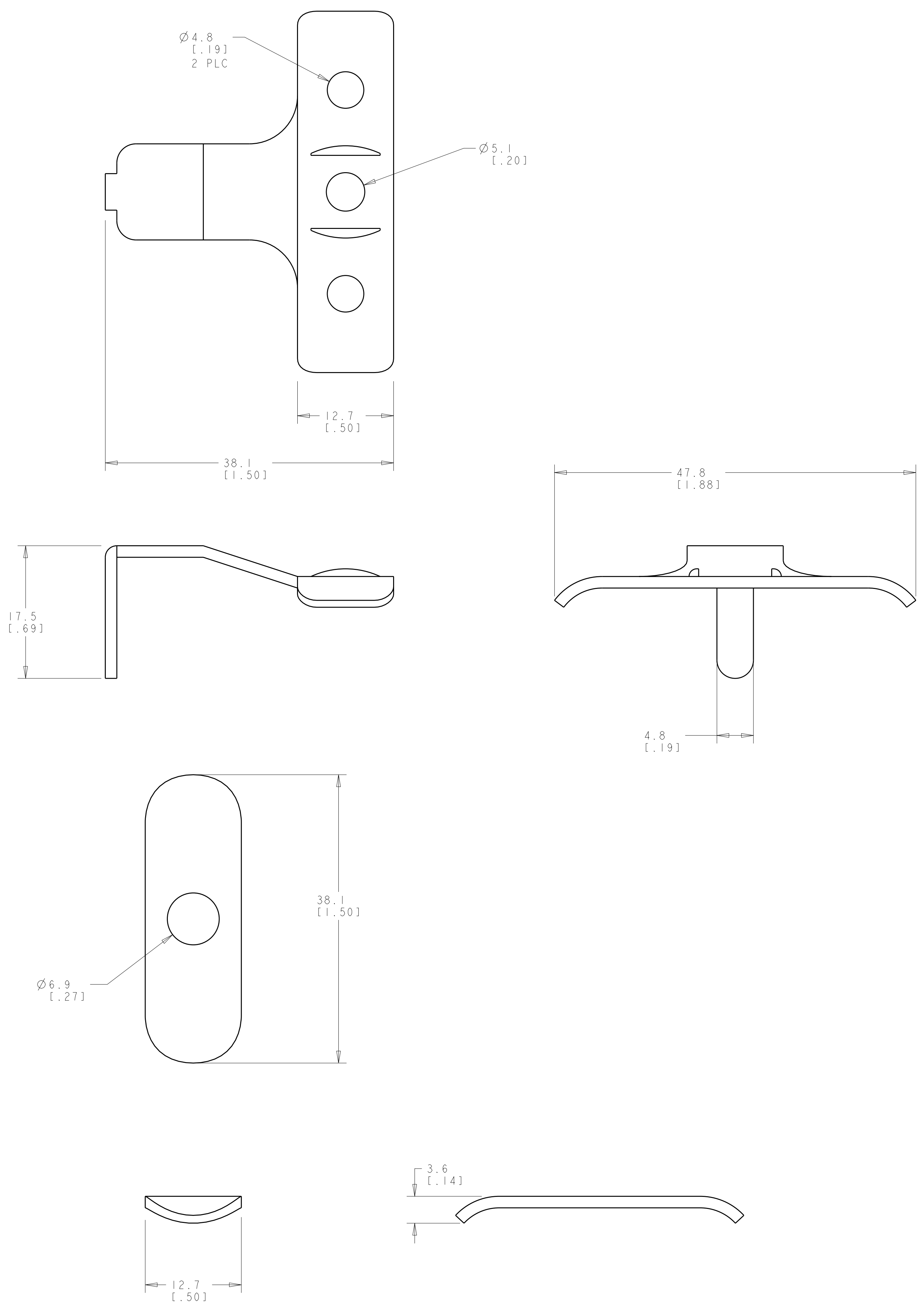


LOC	DIST	REVISIONS			
CM	00	REV	DATE	BY	APP'D
		1	PRE-RELEASED	27OCT2003	KW JE
		0	REVISED PER 0G3B-1056-04	14MAR06	KW JE



SCALE 2:1

1. A HARDWARE KIT CONSISTING OF SCREW, LOCKWASHER, AND NUT IS INCLUDED IN THE CLAMP KIT.
2. CLAMP MATERIAL IS 16 GA. [.06] THICK COLD ROLLED STEEL. BRIGHT ZINC PLATED.

647700-1
PART NUMBER



<small>THIS DRAWING IS UNPUBLISHED. RELEASED FOR PUBLICATION BY TYCO ELECTRONICS CORPORATION. ALL RIGHTS RESERVED.</small>		DWN R. WHITAKER 27OCT2003 CHK J. ELLIS 27OCT2003 APVD J. ELLIS 27OCT2003	tyco Electronics Tyco Electronics Harrisburg, PA 17105-3608
DIMENSIONS: mm [INCHES]	TOLERANCES UNLESS OTHERWISE SPECIFIED: 0 PLC ± 1 PLC ±0.50 [0.020] 3 PLC ± 4 PLC ± ANGLES ±40° 30'	NAME PRODUCT SPEC APPLICATION SPEC WEIGHT CUSTOMER DRAWING	NAME CABLE CLAMP KIT, AMP POWER SERIES 175 SIZE CAGE CODE DRAWING NO A11 00779 C-647700 SCALE 3:1 SHEET 1 OF 1 REV 0