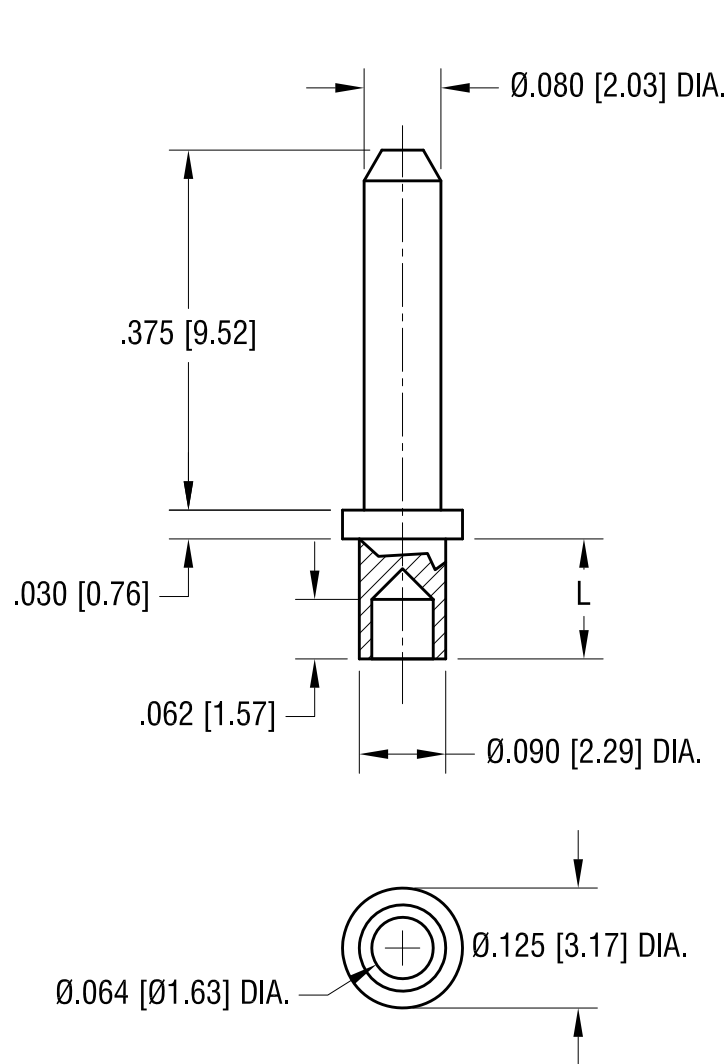


THIS DOCUMENT IS THE PROPERTY OF  
KEYSTONE ELECTRONICS CORP. AND  
SHALL NOT BE REPRODUCED, DISTRIBUTED  
OR USED AS A BASIS FOR MANUFACTURE  
WITHOUT PRIOR WRITTEN PERMISSION  
FROM KEYSTONE ELECTRONICS CORP.



PART NO.	'L' DIM.
1455-2	.094 [2.39]
1455-3	.125 [3.18]
1455-4	.156 [3.96]

**KEYSTONE ELECTRONICS CORP.**  
www.keyelco.com • ASTORIA, N.Y. 11105-2017 • Tel (718) 956-8900

PART NAME: MICRO PIN, SWAGE MOUNT

MATERIAL: BRASS

FINISH: TIN PLATE

DRN BY: BOONE DATE: 9.6.96

APP'D: LN SCALE: 5X

TOLERANCES INCH [MM]  
DECIMAL  $\pm .005$  [ $\pm 0.15$ ]  
ANGULAR  $\pm 1^\circ$   
UNLESS OTHERWISE SPECIFIED

CODE: DWG NO. C 1455-

5.07.09	CHANGE AS PER ECN 09-037	A
DATE	DESCRIPTION	REV.